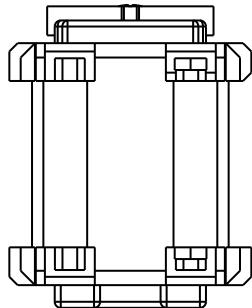
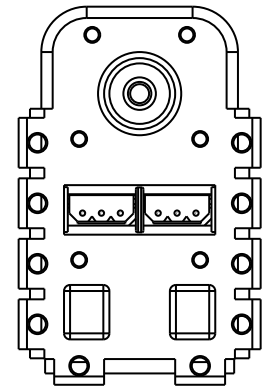
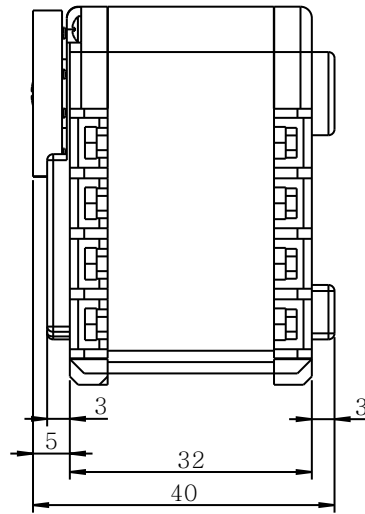
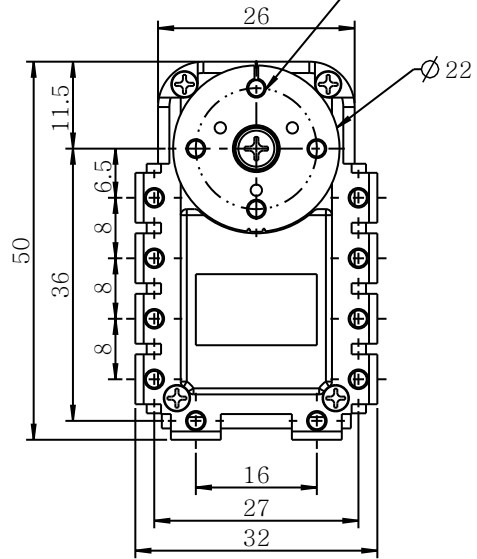


4-M2 TAP DP4.0
P.C.D. $\varnothing 16$



[FOR REFERENCE ONLY]

Title	AX-12A/18A	Material	Scale	Unit	Sheet	ROBOTS
Date	01/24/2011		NONSCALE	mm	1 of 1	A4