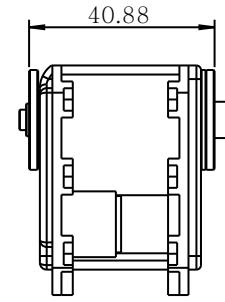
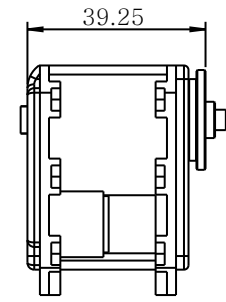


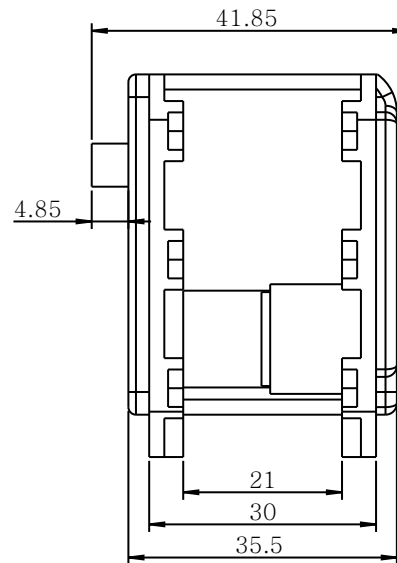
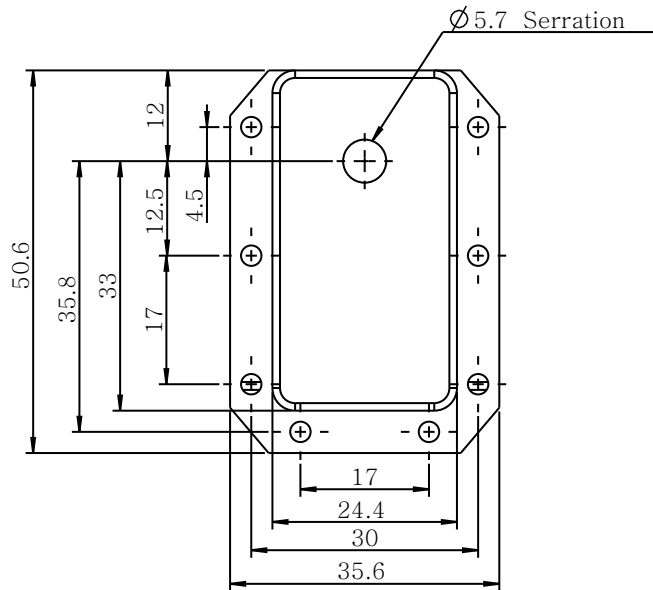
HN07-N101 / HN07-T1
THRUST WASHER
WB M2.5x08



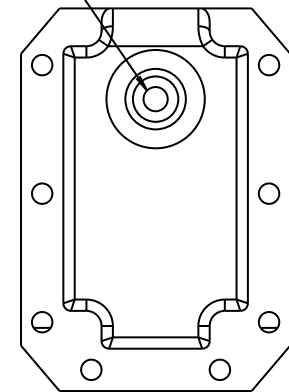
HN07-N101
HN07-i101
THRUST WASHER
BEARING MF106ZZ
RX28 CAP BEARING
WB M2.5x08



HN07-T1
THRUST WASHER
WB M2.5x08



M2.5 TAP DP. 7.5(MAX)



[FOR REFERENCE ONLY]

Title	RX-10 / 24F / 28	Material	Scale	Unit	Sheet	ROBOTS A4
Date	11/07/2011		NONSCALE	mm	1 of 1	