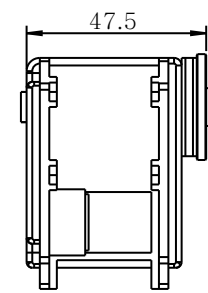
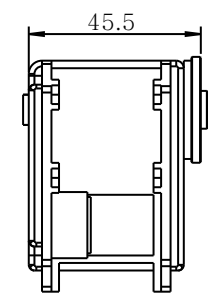


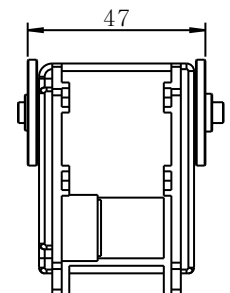
HN05-N101/N1
WB M3x08



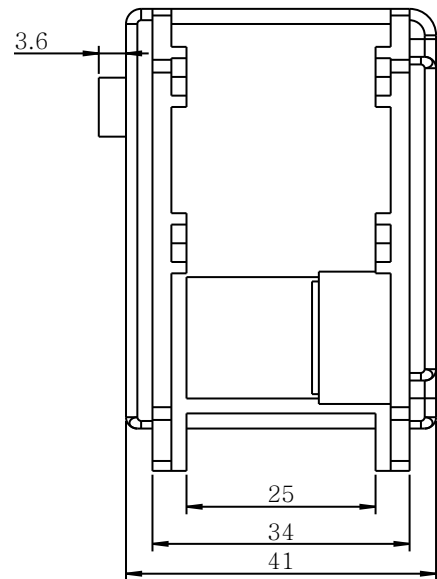
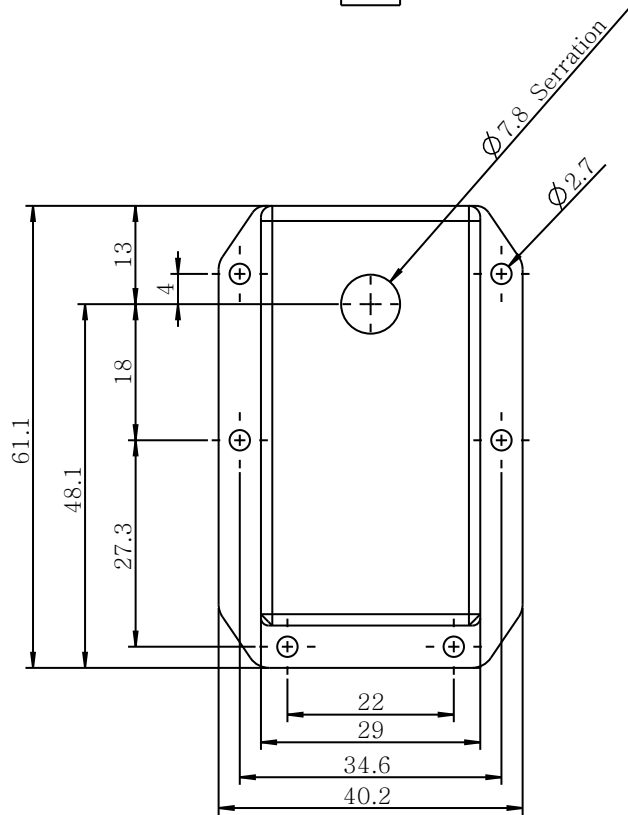
HN05-T1
BEARING 1226T
WB M3x08



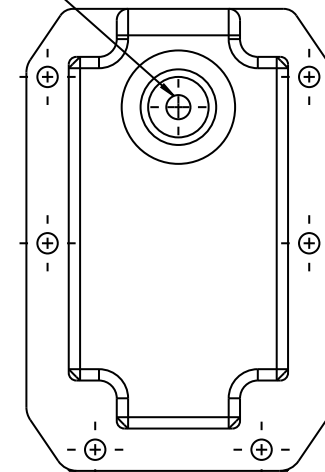
HN05-T101
BEARING 1226T
WB M3x08



HN05-N101
HN05-i101
BEARING MF128ZZ
RX-64 CAP BEARING
WB M3x08



M3 TAP DP. 7.5(MAX)



[FOR REFERENCE ONLY]

Title	RX-64	Material	Scale	Unit	Sheet	ROBOTS A4
Date	11/08/2011		NONSCALE	mm	1 of 1	