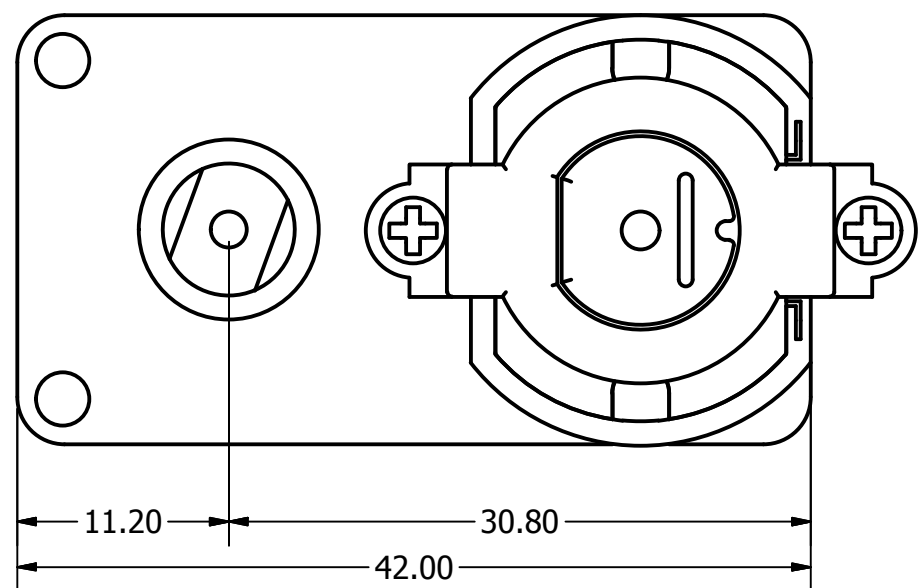
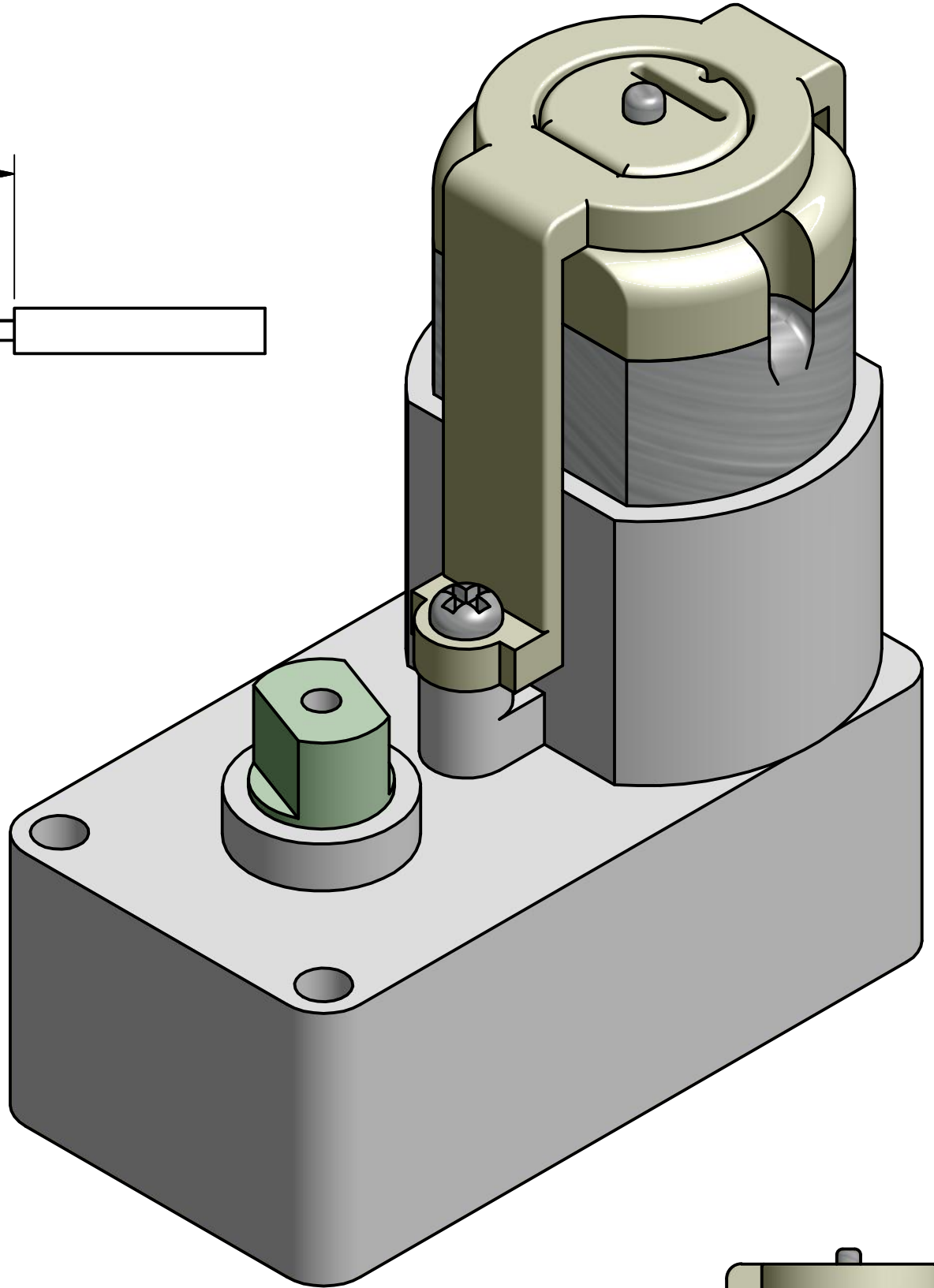
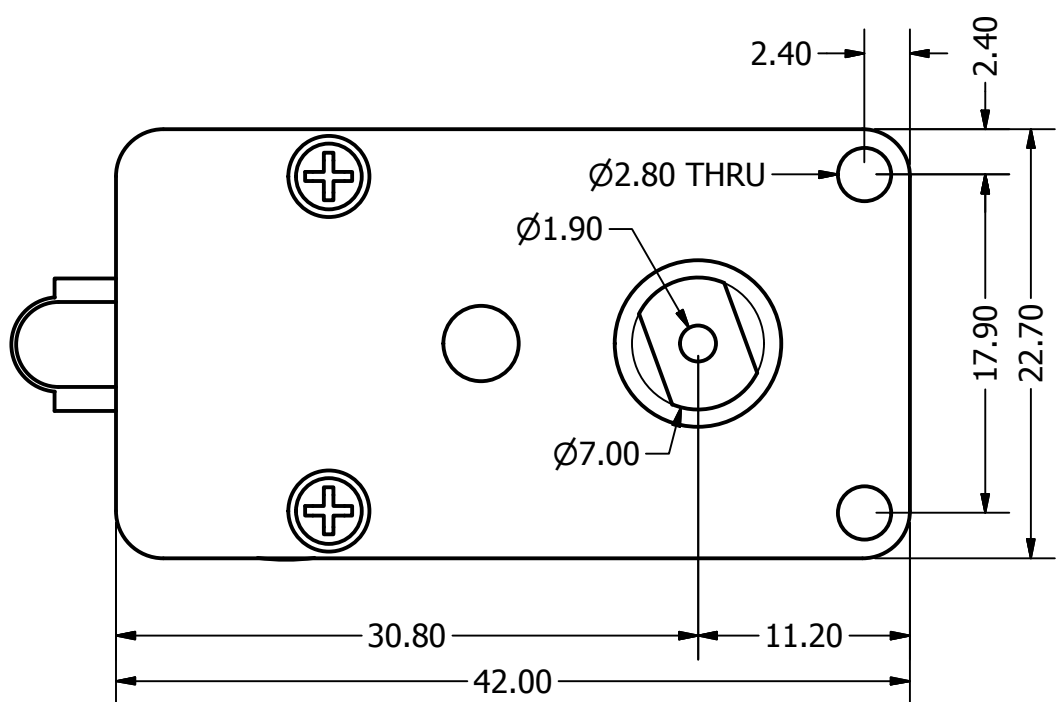


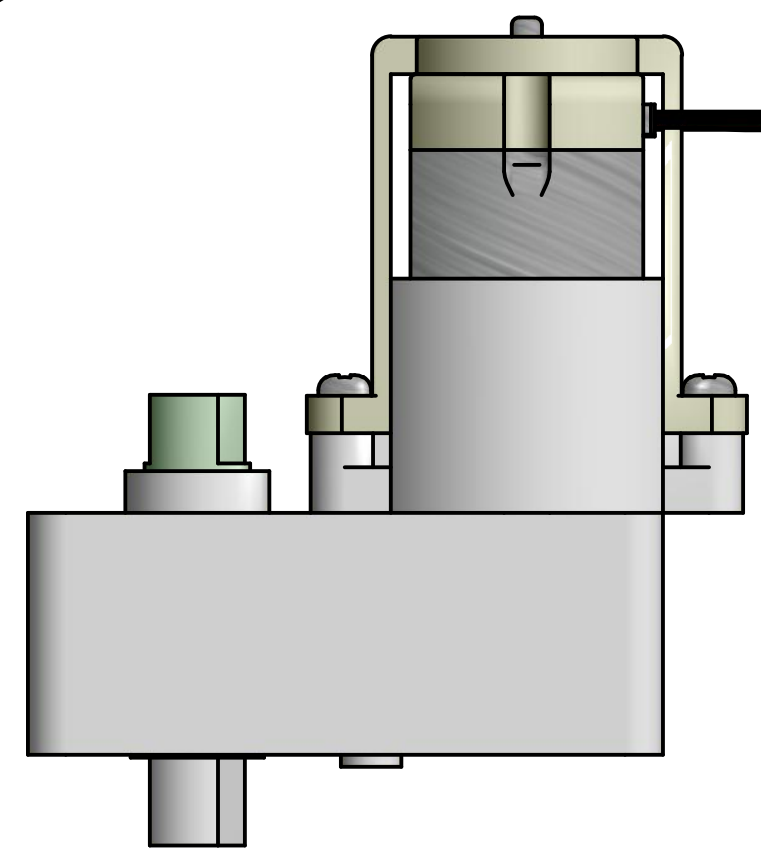
SIDE VIEW



TOP VIEW



BOTTOM VIEW



NO LOAD SPEED	90 rpm
NO LOAD CURRENT	150 mA
STALL CURRENT	800 mA
OUTPUT TORQUE	1.2 kg/cm
GEAR RATIO	1:120
OPERATING VOLTAGE	6 V

ROBOT GEEK, LLC

RG90 - GEAR MOTOR