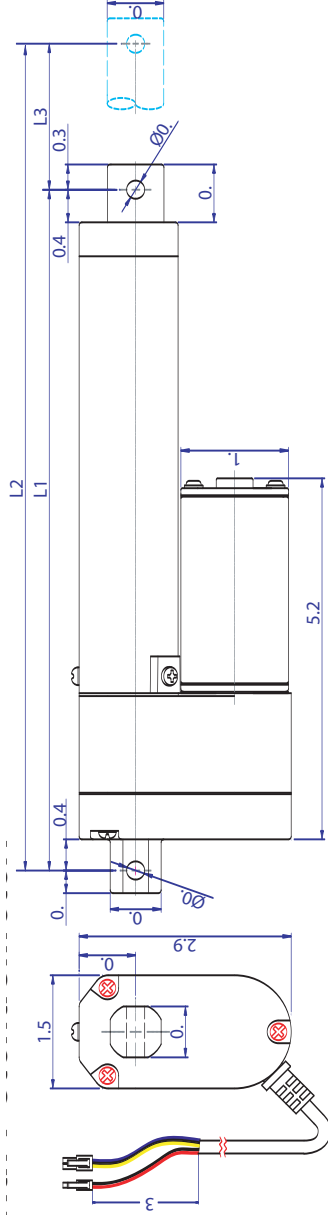


## IMD3 Series Linear Actuators

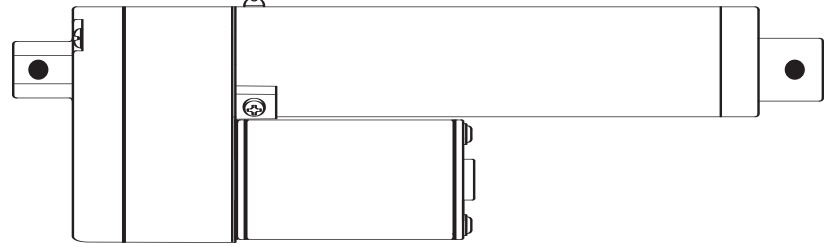
Part Number	LACT2P	LACT4P	LACT6P	LACT8P	LACT10P	LACT12P
Input Voltage	12 VDC	12 VDC	12 VDC	12 VDC	12 VDC	12 VDC
Load Capacity	110 pounds					
Static Load	550 pounds					
Stroke Length*	2 inches	4 inches	6 inches	8 inches	10 inches	12 inches
Speed @max load	0.50 in/sec					
Retracted Length	7.47 inches	9.45 inches	11.49 inches	13.49 inches	15.50 inches	17.51 inches
Extended Length	9.47 inches	13.48 inches	17.49 inches	21.49 inches	25.50 inches	29.51 inches
Recommended Fuse	10 Amp					
IP Grade	IP 63-total dust protection, water resistant					
*Advertised Stroke Length may not reflect Actual Stroke Length Other Linear Actuators are available from Creative Werks Inc.. Please call 515-264-8222 to request information.						



### Dimension (inches):

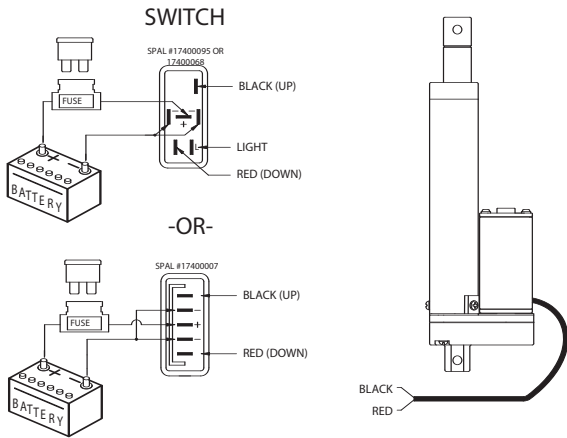
L3 Stroke Length	2	4	6	8	10	12
L1 Stroke Length	7.47	9.48	11.49	13.49	15.50	17.51
L2 Stroke Length	9.47	13.48	17.49	21.49	25.50	29.51

# IMD3-SERIES LINEAR ACTUATORS WITH POTENTIOMETER



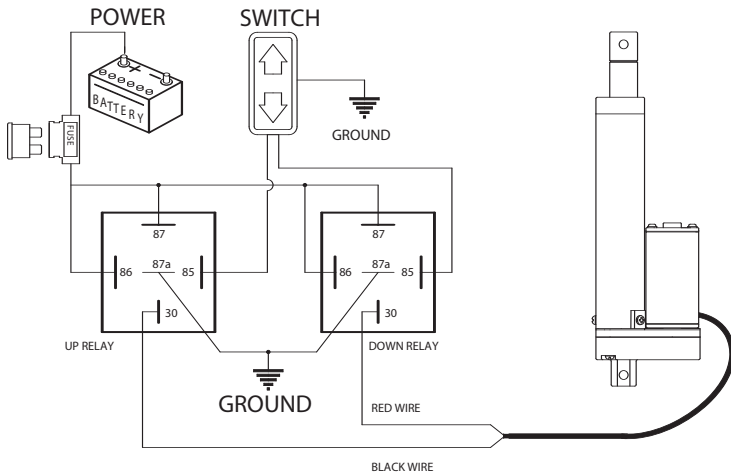
**CREATIVEWERKS inc.**  
••••• DESIGNinMOTION

1434 E. Fleming Avenue  
Des Moines, IA 50313

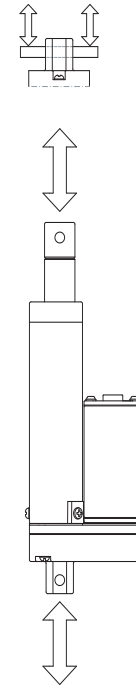


### Wiring Installation Instructions:

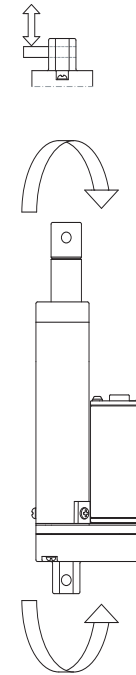
- If using Creative Werks Inc. switches (such as part #'s 1740.0007, 1740.0068, 1740.0095) the actuator can be connected without relays. (see diagram above)
- Connect the red wire from the actuator to the retraction (down) side of a switch.
- Connect the black wire to the extension (up) side of the switch.
- Place a 10 Amp fuse on the +12VDC wire, no further than 18 inches from the battery.
- One Creative Werks Inc. switch can control up to 2 actuators on a single circuit with a 20 Amp fuse.
- If using other switches, please incorporate two standard automotive relays. (see diagram below)



### CORRECT



### INCORRECT



### Mounting Installation Instructions:

(Creative Werks Inc. brackets are available.)

- To prevent premature failure the actuator should be mounted so that the load does not bend or rotate the actuator.
- The load should be centered on the actuator.
- Use only solid pins or bolts that can be fixed on both ends with minimal play on the actuator shaft.

## Creative Werks Inc. LIMITED WARRANTY STATEMENT

Creative Werks Inc. warrants this product to be free from defects in material and workmanship for a period of eighteen (18) months from the date of sale to the original purchaser. Creative Werks Inc. will repair this product free of charge if, in the judgment of Creative Werks Inc., it has been proven defective within the warranty period. The product should be returned, at the customer expense, to the location of original purchase. This warranty does not cover any expenses incurred in the removal and/or reinstallation of the product.

This warranty does not apply to any product damaged by improper installation, accidental misuse, abuse, improper line voltage, fire, flood, lightning, or other acts of God, or a product altered or repaired by anyone other than Creative Werks Inc. This warranty is in lieu of other warranties, expressed or implied, including any implied warranty of merchantability. No person is authorized to assume for Creative Werks Inc. any other liability concerning the sale of this product.

**IMPORTANT-KEEP YOUR INVOICE WITH THIS WARRANTY STATEMENT!**